

# HP Color LaserJet CM1312 Fuser Replacement Steps

## Removing the Right Cover

1. Remove one screw (callout 1).



2. Carefully pull the front of the right cover away from the product to release one tab.



3. Use a small flatblade screwdriver to release one tab (callout 2).



4. Use a small flatblade screwdriver to release two tabs (callout 3).



5. Separate the cover away from the product to remove it.



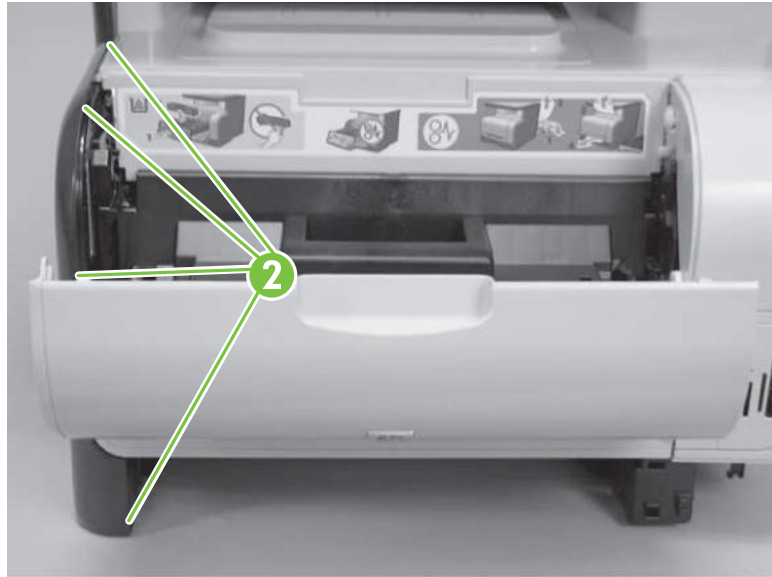
### Removing the Left Cover

1. Remove one screw (callout 1).



## HP Color LaserJet CM1312 Fuser Replacement Steps continued...

2. Open the front door, and then use a small flatblade screwdriver to release four tabs (callout 2).



3. Use a small flatblade screwdriver to release three tabs (callout 3) at the back of the product.



4. Separate the cover away from the product to remove it.



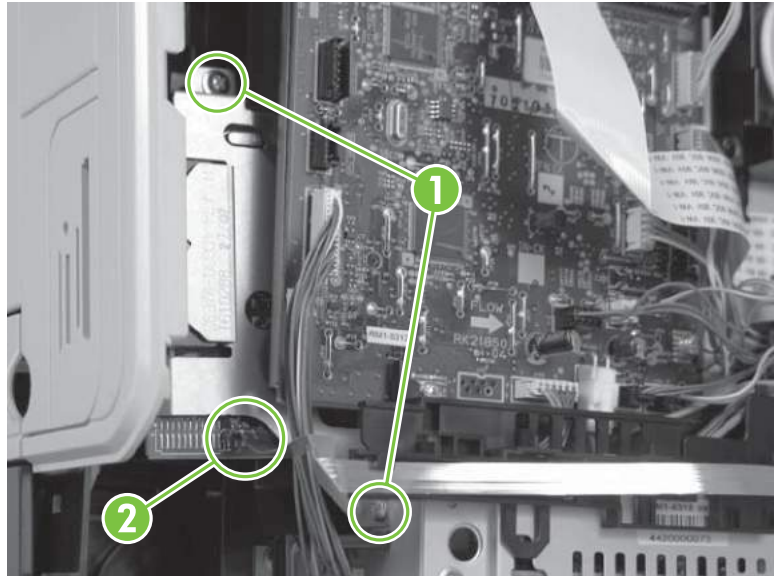
## Removing the Front-Right Cover

1. Fax/memory-card models only: Remove two screws (callout 1), and then disconnect one FFC (callout 2)

---

**NOTE:** The fax/memory-card models have a memory-card reader PCA installed on this cover.

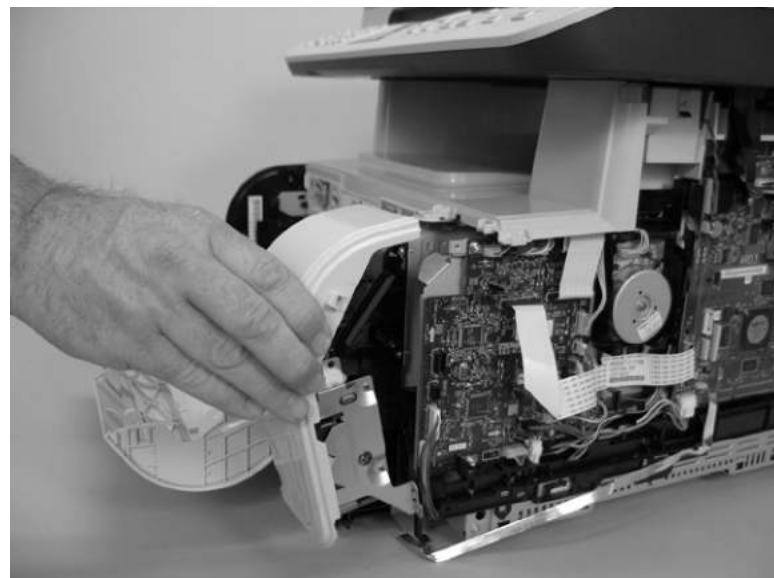
---



2. Use a small flatblade screwdriver to release two tabs (callout 3).

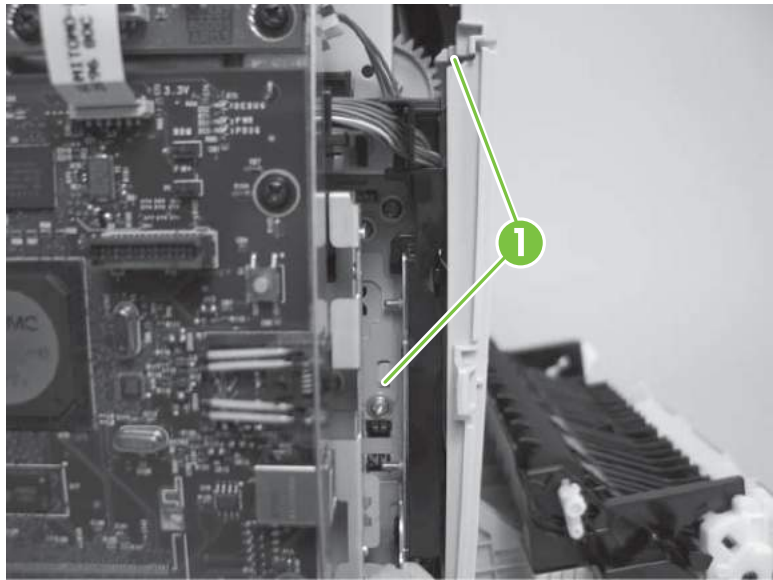


3. Remove the front-right cover.



## Removing the Rear-Side Cover

1. Open the rear door.
2. Use a small flatblade screwdriver to release two tabs (callout 1).

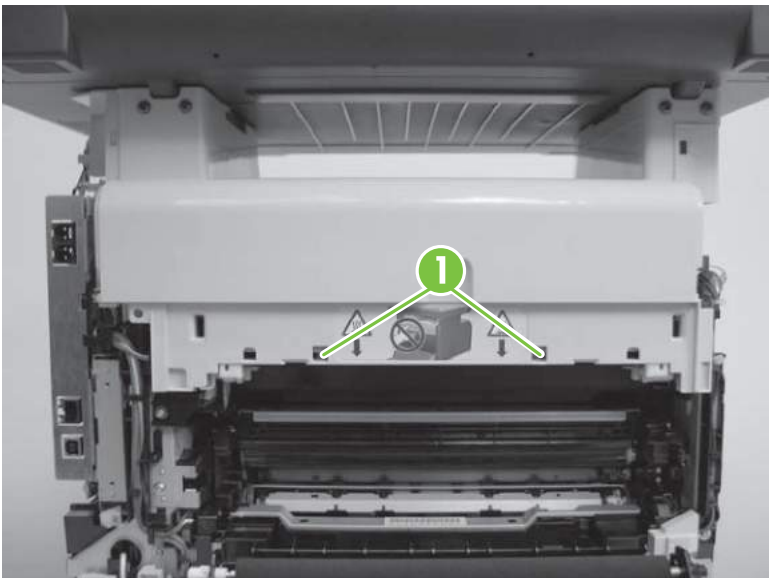


3. Remove the rear-side cover.



## Removing the Rear-Upper Cover

1. Open the rear door.
2. Use a small flatblade screwdriver to release two tabs (callout 1). Push down to release these tabs.

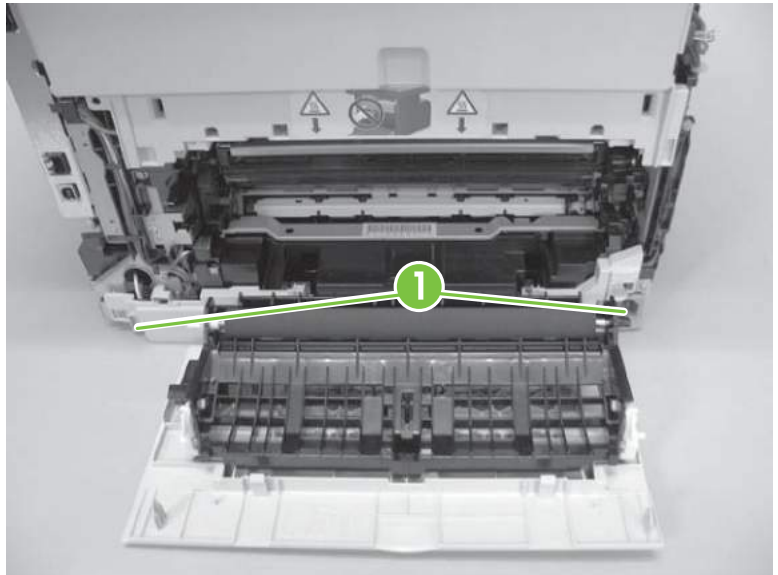


3. Rotate the bottom of the rear-upper cover away from the product to remove it.

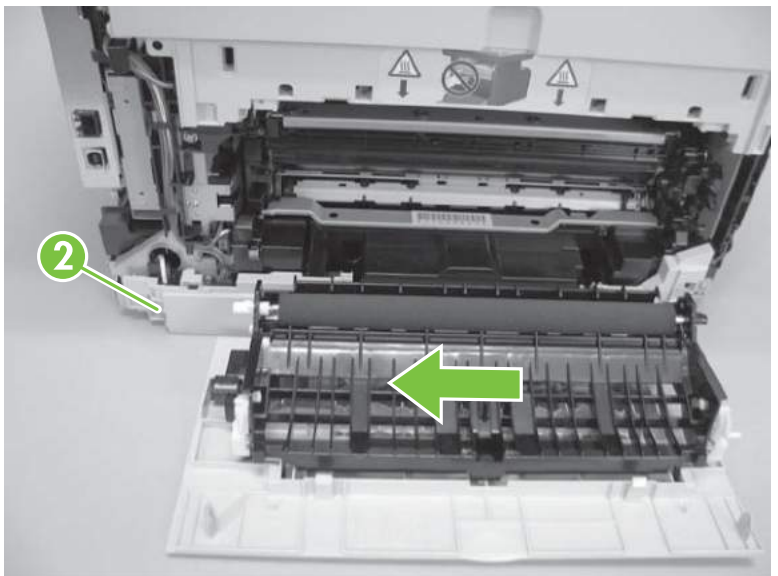


## Removing the Rear Door & Rear Lower Cover

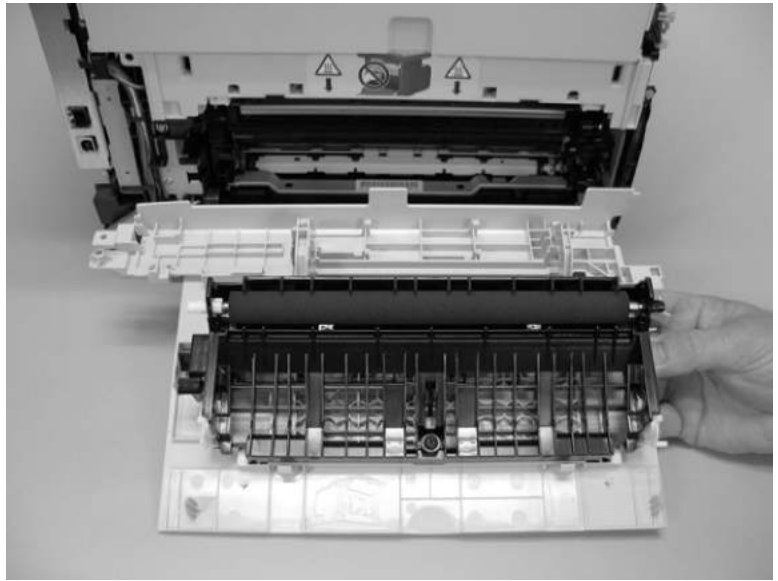
1. Remove two screws (callout 1)



2. Release one pin (callout 2) and then slide the rear door and rear-lower cover towards the side of the product with the interface connectors.

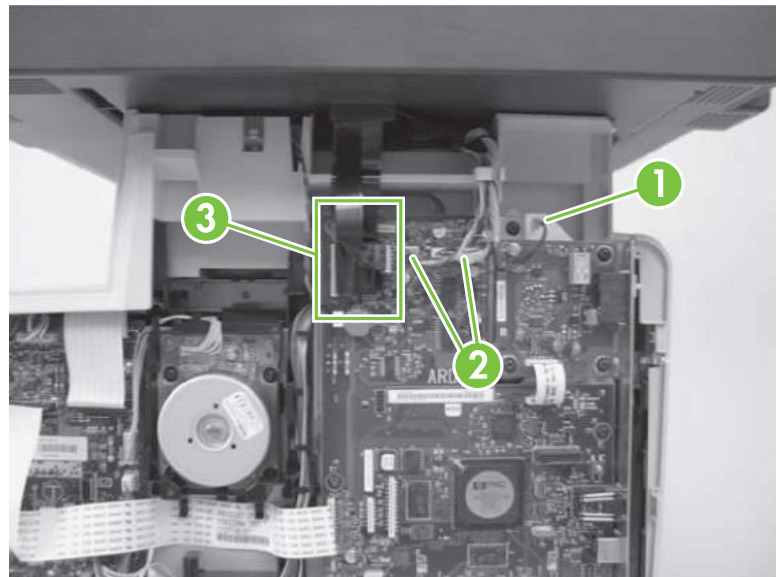


3. Remove the rear door and rear-lower cover.



## Removing the Scanner Assembly

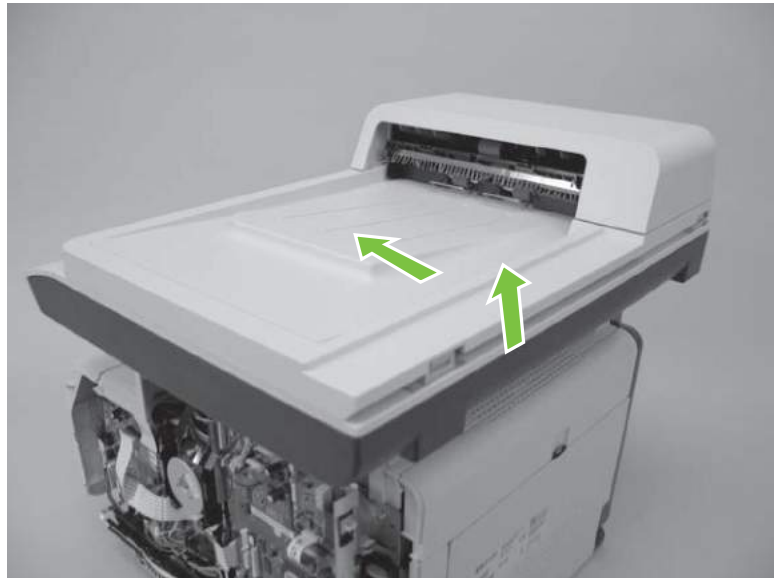
1. Disconnect one ground-wire lug (callout 1), two wire-harness connectors (callout 2; J4 and P1), and three FFCs (callout 3; J1, J2, and J3).



2. Remove four screws (callout 4).



3. Slightly lift up the back of the scanner, and then slide it toward the front of the product.

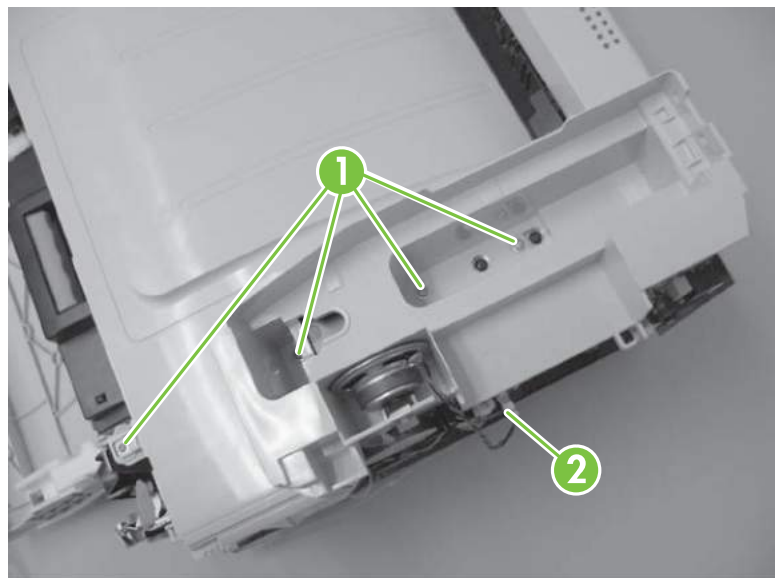


4. Lift the scanner straight up and off of the product.



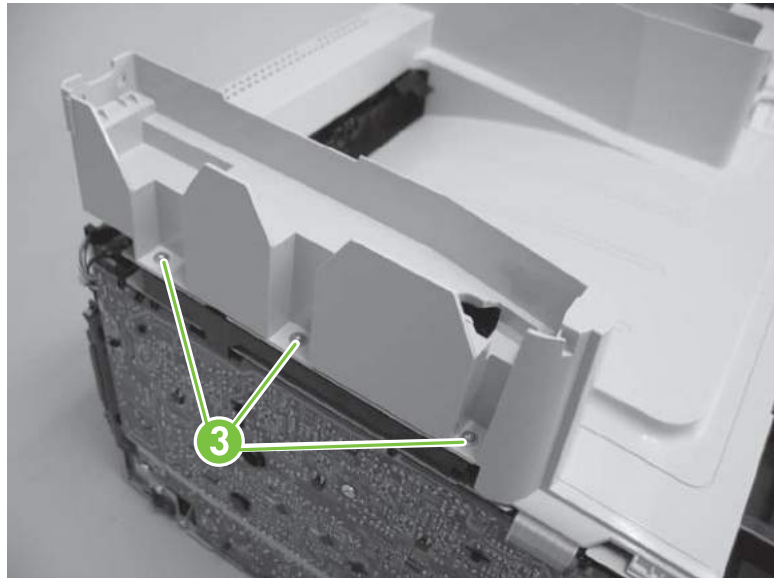
## Removing the Top Cover

1. Remove four screws (callout 1) and then disconnect one wire-harness connector (callout 2, P2).





2. Remove three screws (callout 3) at the top-left side of the product.

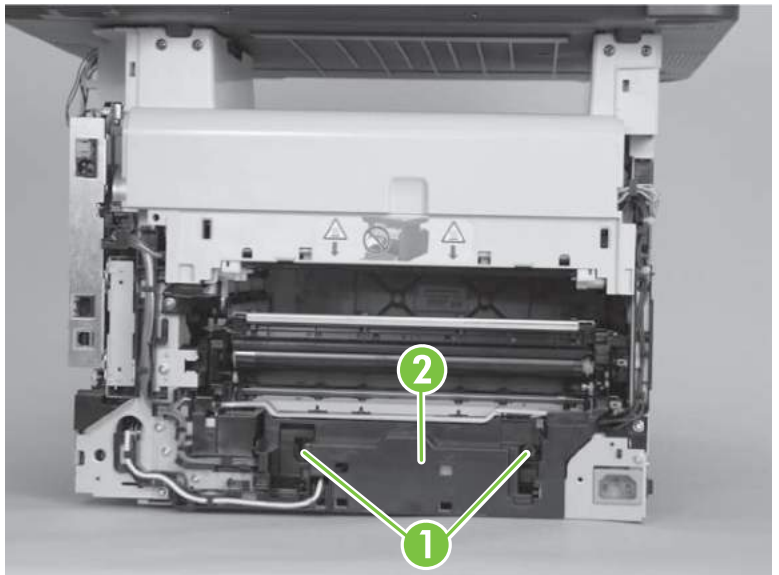


3. Remove the top cover.

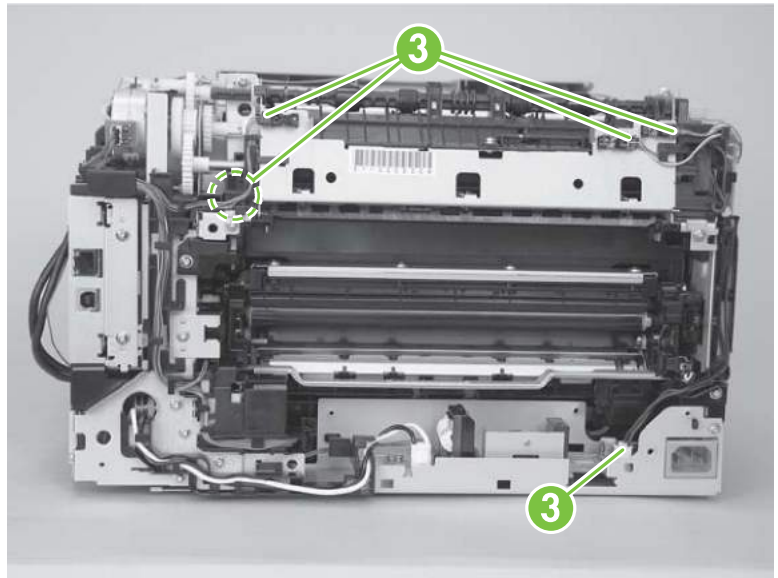


## Removing the Fuser

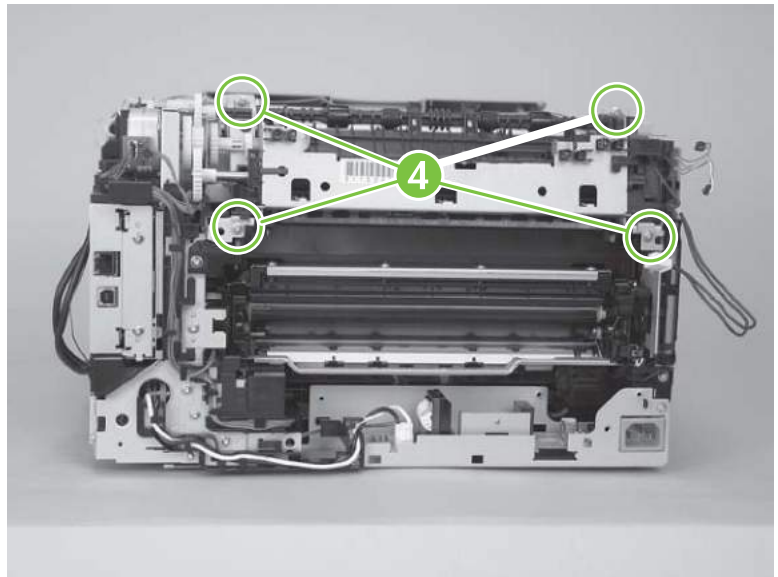
1. Remove two screws (callout 1) and the power-supply cover (callout 2)



2. Disconnect five wire-harness connectors (callout 3). Remove the wire harness from the guides and one retainer.



3. Remove four screws (callout 4).

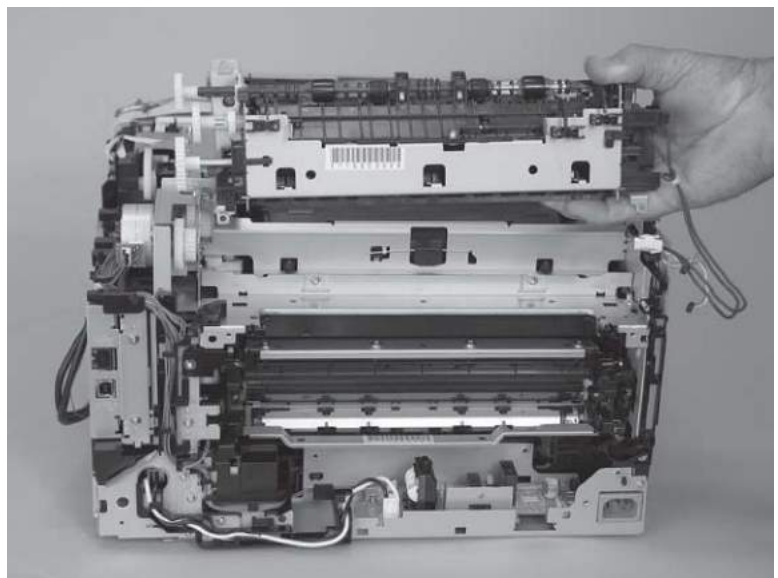


4. Remove the fuser.

---

**CAUTION:** Handle the fuser carefully. The sensors that are mounted to the output side of the fuser can be easily dislodged. When the fuser is reinstalled, make sure that the sensors are present, and correctly fastened to the fuser assembly.

---



**Re-assembling the LaserJet CM1312  
(reverse order of previous steps)**

- Install new fuser. Re-attach screws & replugin wire harnesses.
- Re-install top cover. Re-attach screws & replugin wire harnesses.
- Re-install the scanner assembly. Re-attach screws & replugin wire harnesses & FFCs.
- Re-install rear-upper cover. Make sure tabs lock in place and hold cover firm.
- Re-install rear-side fuser. Make sure tabs lock in place to hold cover firm.
- Re-install front-right cover. Re-attach memory-card (if applicable) with FFC & 2 screws.
- Re-install left cover. Make sure tabs lock in place and re-attach 1 screw.
- Re-install right cover. Make sure tabs lock in place and re-attach 1 screw.